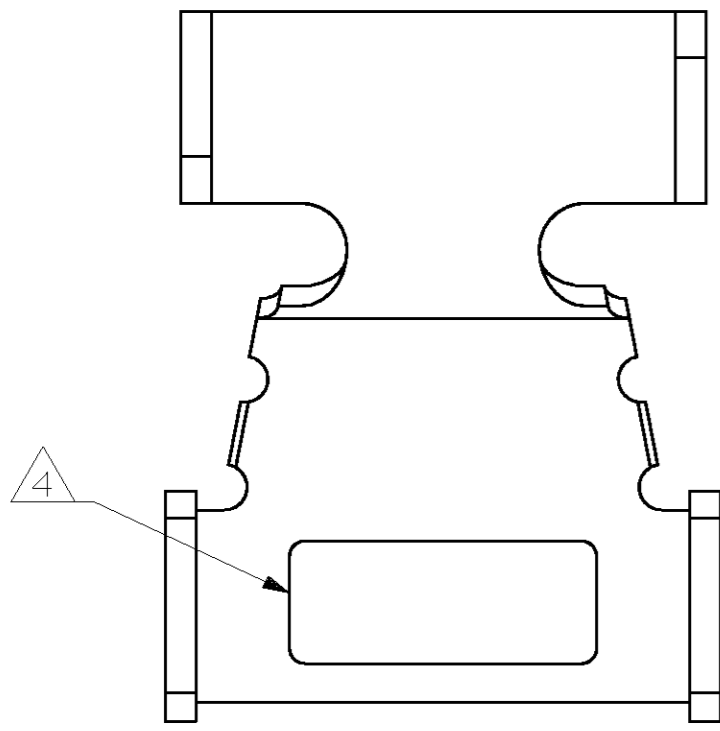
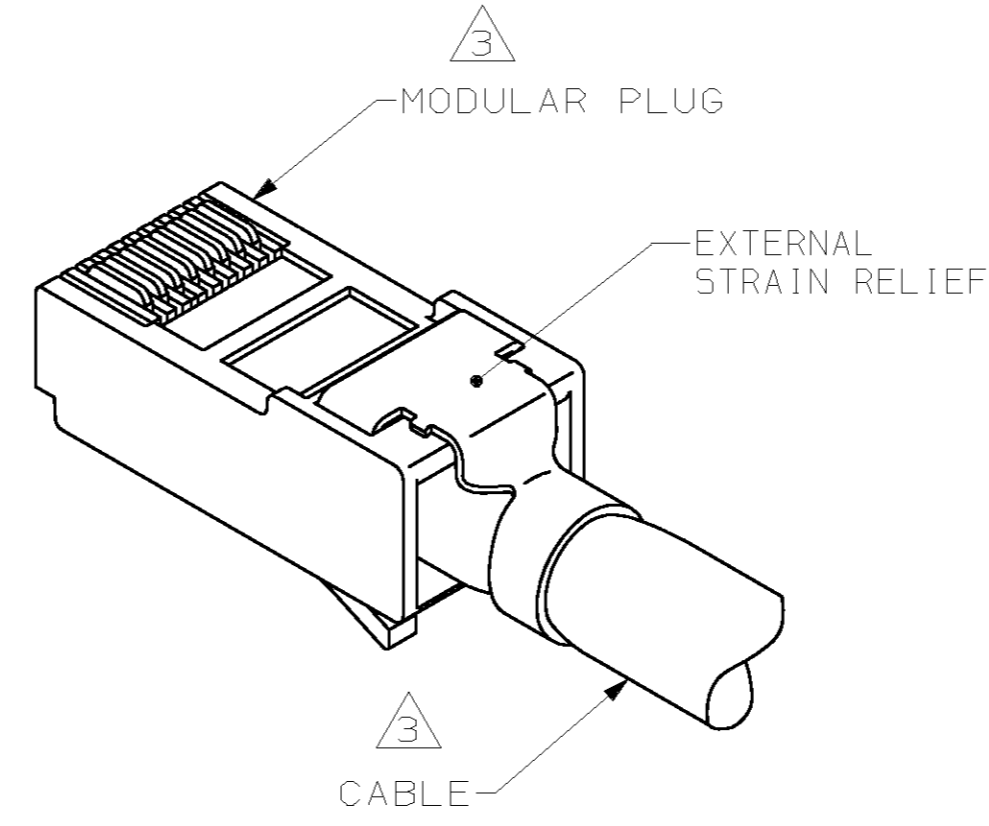
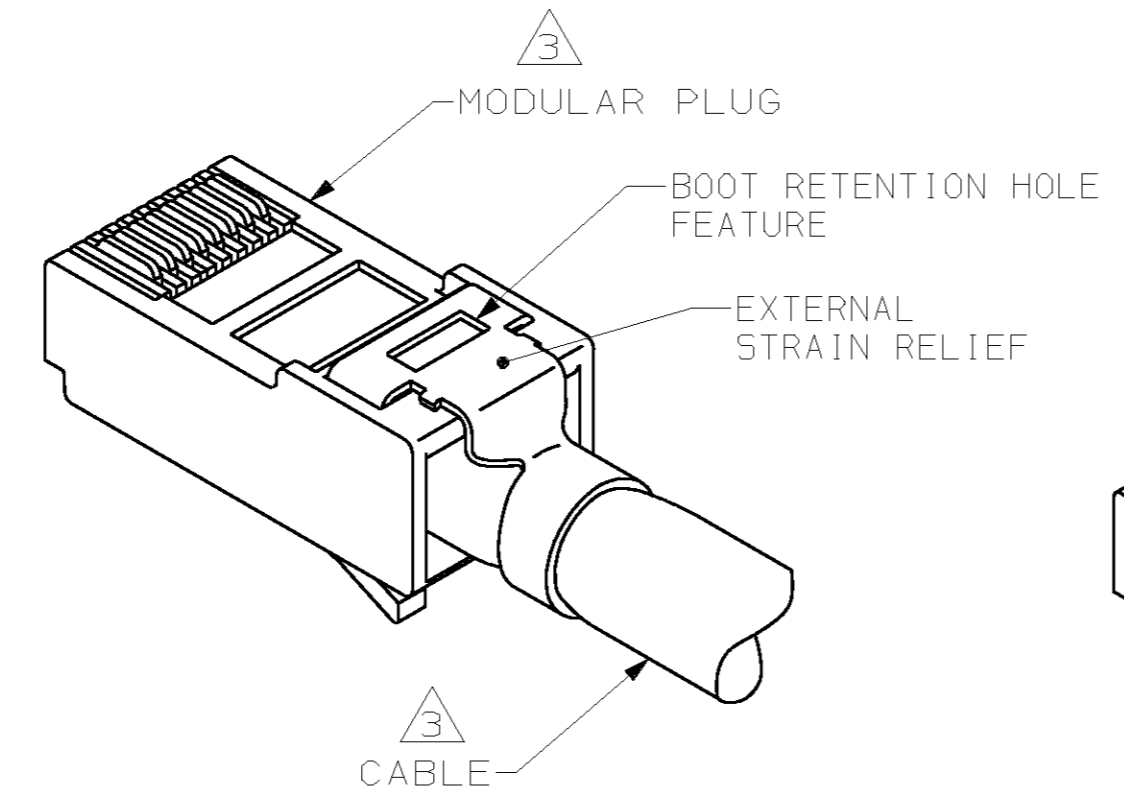


THIS DRAWING IS UNPUBLISHED. RELEASED FOR PUBLICATION  
 (C) COPYRIGHT 19 BY TYCO ELECTRONICS. ALL RIGHTS RESERVED.

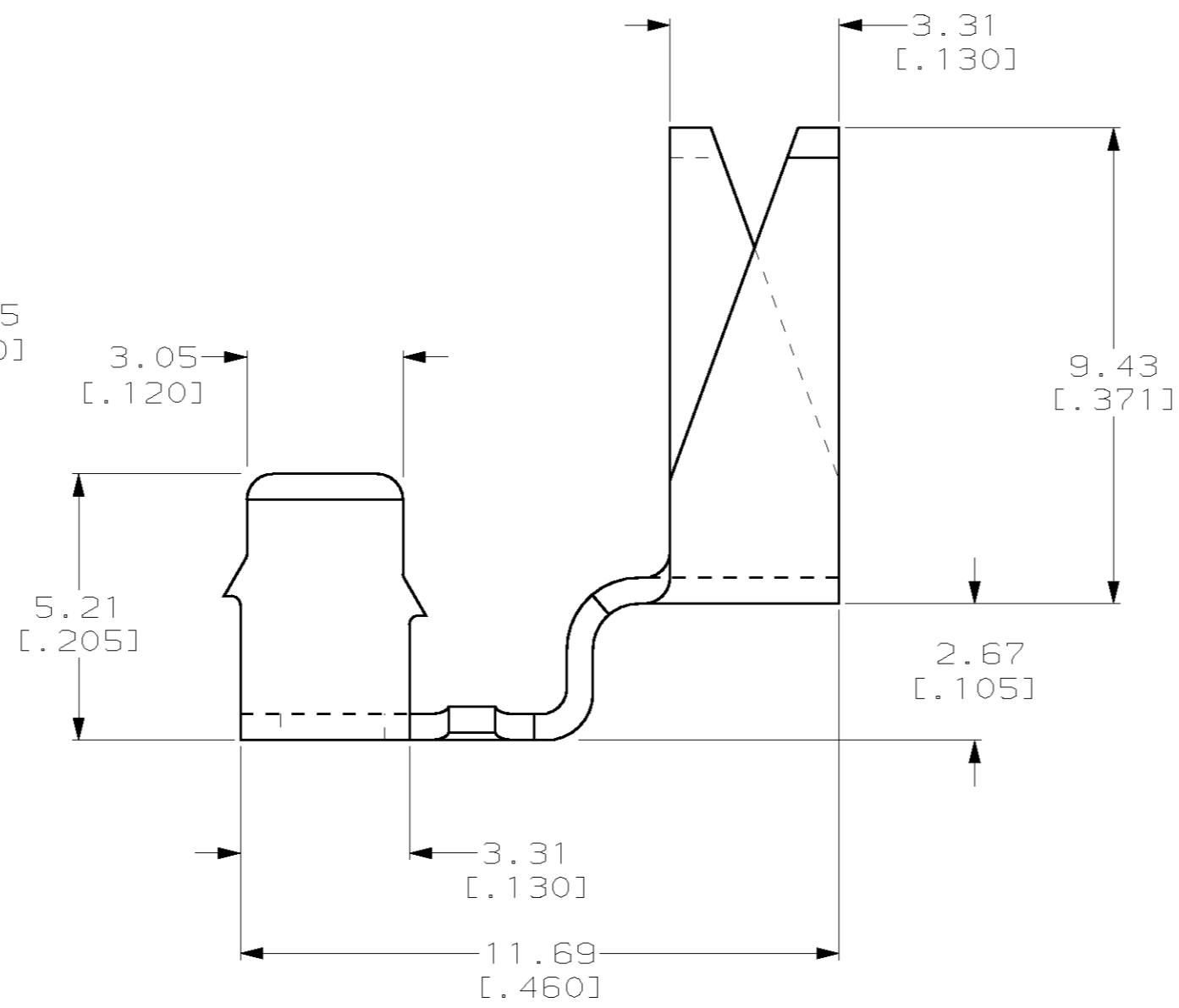
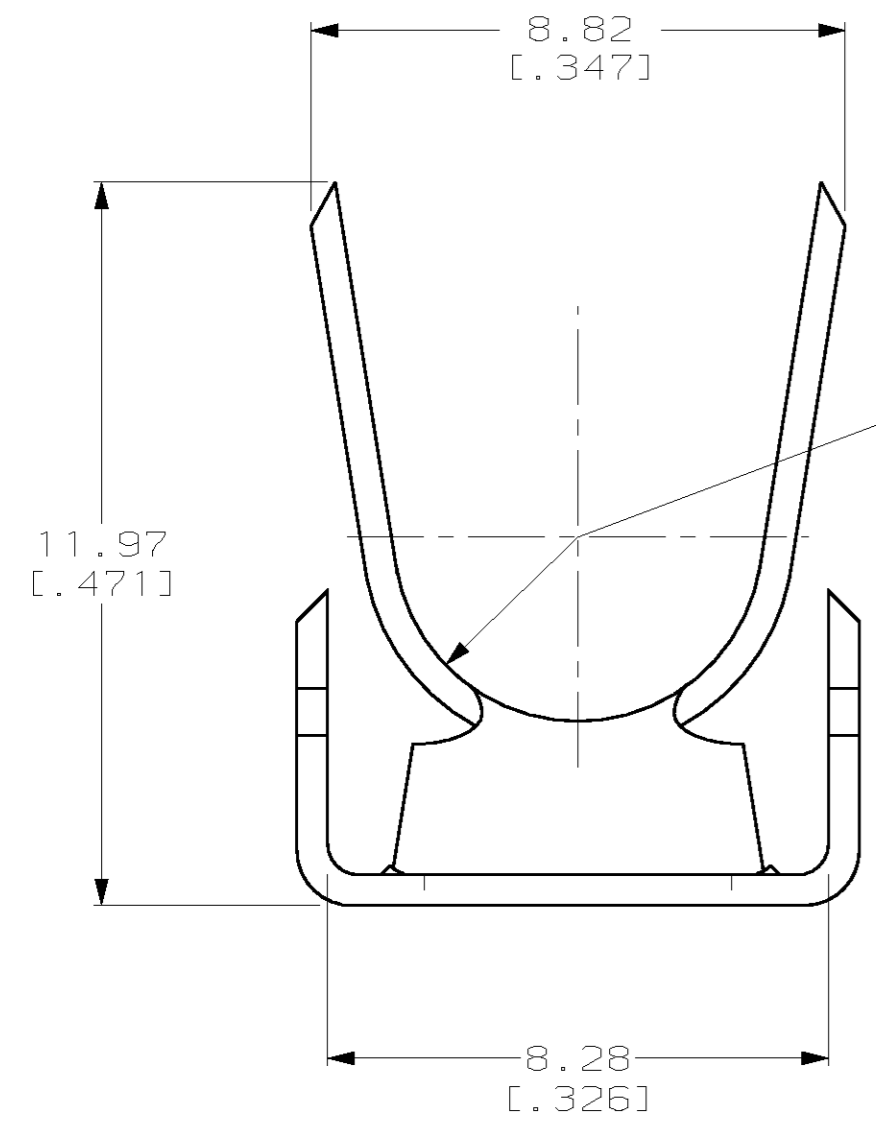
LOC	DIST	REVISIONS			
P	LTR	DESCRIPTION	DATE	DWN	APVD
AA	22	D	REVISED PER EC 0515-0121-03	12JUN03	DD EL



VIEW OF A PROPERLY APPLIED 558527-3

VIEW OF A PROPERLY APPLIED 558527-1

- 1 ALL DIMENSIONS ARE MAXIMUM UNLESS OTHERWISE SPECIFIED.
- 2 MATERIAL: BRIGHT PURE TIN PLATED BRASS.
- 3 MODULAR PLUG AND CABLE FURNISHED BY CUSTOMER.
- 4 558527-3 HAS A 2.03 x 5.08 [.080 x .200] RECTANGULAR HOLE FOR RETENTION OF AMP MODULAR PLUG BOOT.
- 5. THESE EXTERNAL STRAIN RELIEF ACCESSORIES CAN BE UTILIZED ON ANY AMP BRAND 8 POSITION OR 10 POSITION MODULAR PLUG AS SHOWN.



LEAD FREE

DESCRIPTION	558527-3 558527-1
PART NO.	

<small>THIS DRAWING IS A CONTROLLED DOCUMENT FOR AMP INCORPORATED. IT IS SUBJECT TO CHANGE AND THE CONTROLLING ENGINEERING ORGANIZATION SHOULD BE CONTACTED FOR THE LATEST REVISION.</small>		DWN G. GARRETT 9-20-95 CHK C. WHITT 10-5-95 APVD E. LAURER 10-12-95	<b>AMP</b> TYCO Electronics Harrisburg, PA 17105-3608
DIMENSIONS: mm [INCHES] TOLERANCES UNLESS OTHERWISE SPECIFIED: 0 PLC ± 1 PLC ± 2 PLC ± 3 PLC ± 4 PLC ± ANGLES ± FINISH ±		PRODUCT SPEC N/A APPLICATION SPEC 408-4167 WEIGHT .615 grams CUSTOMER DRAWING	NAME STRAIN RELIEF, EXTERNAL, MODULAR PLUG, 8 OR 10 POSITION SIZE A2 CAGE CODE 00779 DRAWING NO. C-558527 SCALE 8:1 SHEET 1 OF 1 REV D

558527